

LED RECESSED DOWNLIGHTS - 6" PERFORMANCE

INSTALLATION INSTRUCTIONS

Items:

RTL/620WH/8W/D-46
RTL/623WH/8W/D-46

RTL/630WH/8W/D-46
RTL/633WH/8W/D-46

RTL/640WH/8W/D-46
RTL/643WH/8W/D-46

RTL/650WH/8W/D-46
RTL/653WH/8W/D-46

WARNING – Risk of fire or electric shock. LED Retrofit Kit installation requires knowledge of luminaires electrical systems. If not qualified, do not attempt installation. Contact a qualified electrician.

WARNING – Risk of fire or electric shock. Install this kit only in the luminaires that have the construction features and dimensions shown in the photographs and/or drawings and where the input rating of the retrofit kit does not exceed the input rating of the luminaire.

-SUITABLE FOR TYPE IC OR NON-IC LUMINAIRES

-MIN. LAMP COMPARTMENT DIMENSIONS 5.5" Dia x 7.48" H

Do not make or alter any open holes in an enclosure of wiring or electrical components during kit installation.

-WARNING – To prevent wiring damage or abrasion, do not expose wiring to edges of sheet metal or other sharp objects.

THIS DEVICE IS NOT INTENDED FOR USE WITH EMERGENCY EXITS.

Installation

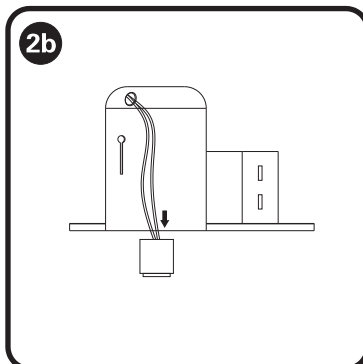
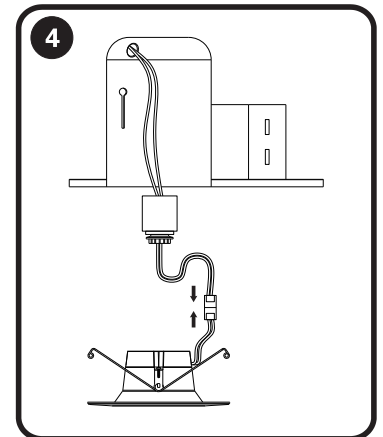
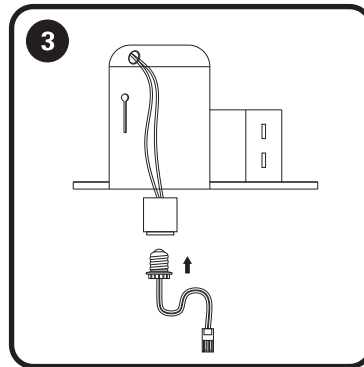
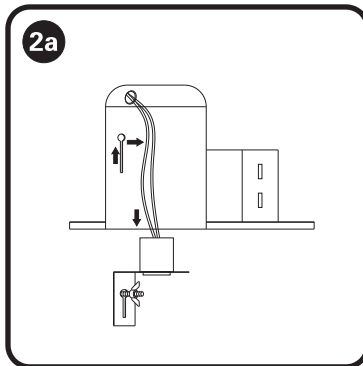
The LED retrofit luminaire conversion kit includes installation instruction, LED lamp and field-applied label.

Step 1: Make sure the power is turned off at the source to the recessed housing that you are installing the downlight in. Remove existing bulb and trim. Attach the provided field applied label to the luminaire where readily visible by the user during relamping.

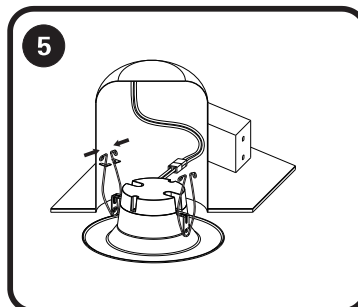
Step 2: If applicable, loosen the screws on socket bracket, push the bracket upward to top-most location. Remove existing socket mounting plate from recessed housing, then remove lamp socket from the plate.

Step 3: Disconnect the included Edison base adaptor from the LED downlight and screw Edison base adaptor into socket in recessed housing.

Step 4: Re-connect LED downlight to the Edison base adaptor .



Step 5: Squeeze torsion springs together as shown and install into torsion spring brackets inside recessed housing.



Step 6: Carefully route wires into fixture and push recessed kit up until flush with ceiling surface.

