

INSTALLATION INSTRUCTIONS FOR HID TO LED RETROFIT LAMPS

Items:

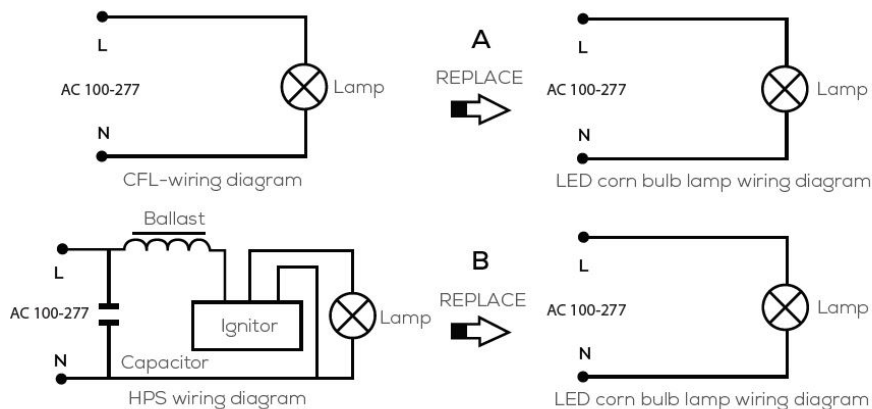
LPT20/HOR/850/E26/G2
LPT40/HOR/850/E26/G2
LPT60/HOR/850/E26/G2

LPT20/HOR/850/E39/G2
LPT40/HOR/850/E39/G2
LPT60/HOR/850/E39/G2

INSTALLATION INSTRUCTIONS:

1. Turn off the circuit breaker and AC switch before working on the fixture.
2. If necessary, remove the cover from the light fixture according to the manufacturer's instructions.
3. Carefully remove the old bulb and dispose of it according to federal, state and local laws.
4. Ensure the light fixture is designed to accommodate a LED Retrofit.
5. Ensure that the fixture is not an emergency battery supplied fixture. If it is an emergency battery supplied fixture, disconnect the battery.
6. Remove the ballast, ignitor and capacitor according to the diagram.
7. Install the Topaz Lighting LED Retrofit in the light fixture. Ensure that the bulb is seated firmly.
8. Replace the cover according to the manufacturer's instructions.
9. Turn on the circuit breaker and AC switch.
10. Turn on the ON/OFF switch to verify proper operation.

INSTALLATION SCHEME:



IMPORTANT SAFETY NOTICES:

1. In order to perform installation, we recommend you contact a licensed electrician who will follow the NEC code, as well as local electrical codes.
2. Existing bulbs contain hazardous substances. Do not break them. Safety glasses and gloves are recommended.
3. Never attempt to disassemble the LED Retrofit Light. This product has no serviceable parts inside.