

LED LINEAR WRAP INSTALLATION INSTRUCTIONS

Items:

F-LWRAP/42W/40K and F-LWRAP/42W/50K

General Safety Precautions

- To reduce the risk of death, personal injury or property damage from fire, electric shock, falling parts, cuts/abrasions, and other hazards read all warnings and instructions included with and on the fixture box and all fixture labels.
- Before installing, servicing, or performing routine maintenance upon this equipment, follow these general precautions.
- Commercial installation, service and maintenance of luminaires should be performed by a qualified licensed electrician.
- For Residential installation: If you are unsure about the installation or maintenance of the luminaires, consult a qualified licensed electrician and check your local electrical code.
- DO NOT INSTALL DAMAGED PRODUCT
- This fixture is intended to be connected to a properly installed and grounded UL listed junction box.



WARNING: RISK OF ELECTRICAL SHOCK

- Turn off electrical power at fuse or circuit breaker box before wiring fixture to the power supply.
- Turn off power before performing any maintenance.
- Verify that supply voltage is correct by comparing it with the luminaire label information.
- Make all electrical and grounded connections in accordance with the National Electrical Code and any applicable local code requirements.
- All wiring connections should be capped with UL approved wire connectors.

CAUTION: RISK OF INJURY

- Wear gloves and safety glasses at all times when removing luminaire from carton, installing, servicing or performing maintenance.
- Avoid direct eye exposure to the light source while it is on.
- Account for small parts and destroy packing material according to local disposal laws.

CAUTION: RISK OF FIRE

- Keep combustible and other flammable materials away from luminaire and lamp/lens.
- MIN 90°C SUPPLY CONDUCTORS.
- Turn off electrical power at fuse or circuit breaker box before wiring fixture to the power supply

Wiring Diagram:

Connecting fixtures to AC source supply:

All units must be individually connected to the AC supply. (120-277 VAC)

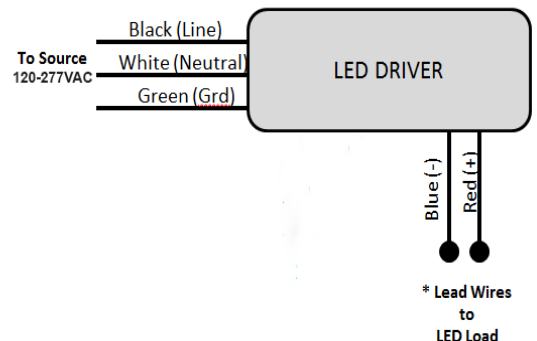
Black = Line

White = Neutral

Green = Ground

Operating characteristics:

Voltage input: 120-277V 50/60 Hz Operating temp: -4°F to 104°F



LED LINEAR WRAP INSTALLATION INSTRUCTIONS

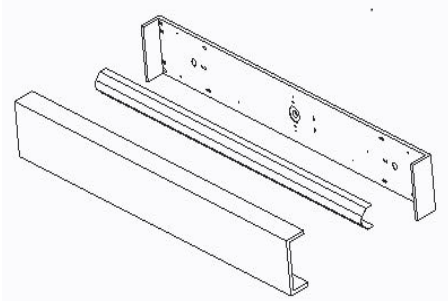
Items:

F-LWRAP/42W/40K and F-LWRAP/42W/50K

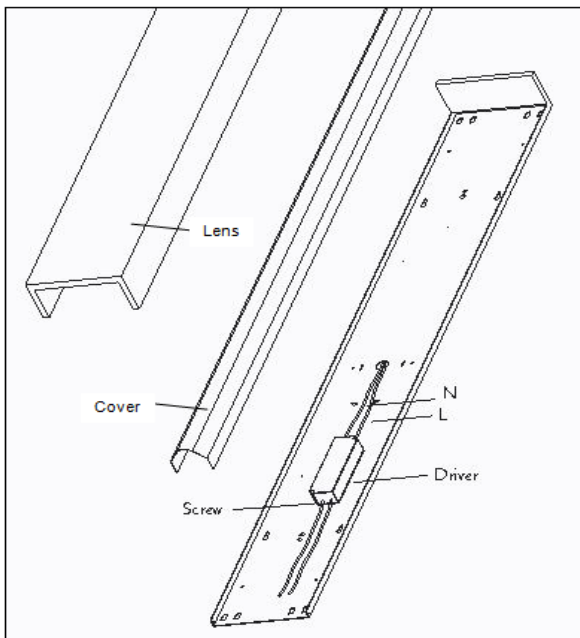
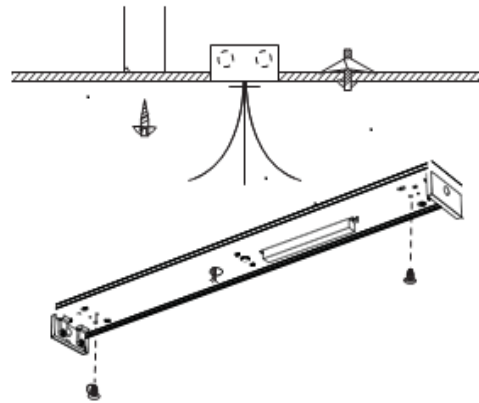
Mounting Instructions:

*Before installation, ensure power supply is disconnected.
Cables must be connected in accordance to local laws and electrical codes.*

1. Remove lens and wire cover. Slide lens toward one end while lifting opposite end clear of fixture housing. If not clearing easily, ensure lens has slid past retainer clip inside the end cap.
2. Next squeeze both sides of wire cover until they clear metal tabs and remove cover.



3. Select wiring access point and remove appropriate knockouts.
4. Locate studs and select installation point
5. For rear access points feed wires through hole
6. Using 1" mounting screw or 3"x3/16 toggle bolts secure fixture in place using keyhole slots provided.



7. After making wire connections, replace wire cover and diffuser
8. Restore power to branch circuit and power the luminaire