

UFO HIGHBAY LED FIXTURE INSTALLATION INSTRUCTIONS

Items:

F-LUHB/100/50K/G2-87 F-LUHB/150/50K/G2-87 F-LUHB/200/50K/G2-87 F-LUHB/240/50K/G2-87

- Thank you for purchasing our UFO Highbay. Please read the below articles carefully to see how to use this product safely.
- Warning contents and attention contents related to product safety use, please be sure to follow it.

⚠ Warning

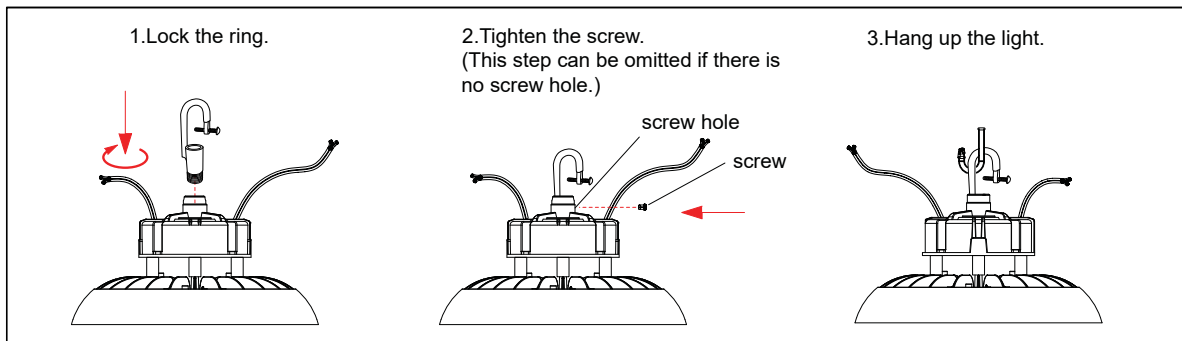
- This UFO High bay within the input voltage range: 120-277V, 50/60Hz.
- If input voltage exceeds this range, it may cause tube failure. Please be sure to operate under correct input voltage.
- Ensure ambient operating temperature of (-)20 °C through 50 °C.
- Using this UFO High bay in temperatures outside of this range will reduce the UFO High bay lifespan.
- Make sure to turn off power before starting the installation process.

⚠ Attention

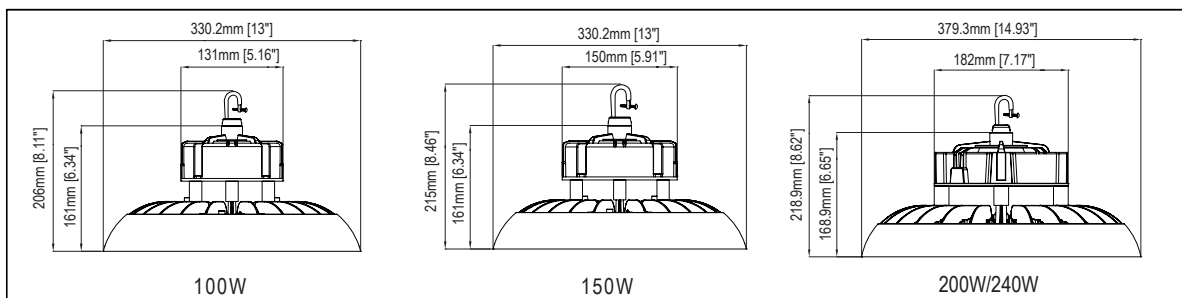
- IP rating: IP65, can work under wet locations.
- Please keep the UFO High bay away from any corrosive substance. When you clean it, please use damp or dry cloth.

Model Number	F-LUHB/100/50K/G2-87	F-LUHB/150/50K/G2-87	F-LUHB/200/50K/G2-87	F-LUHB/240/50K/G2-87
Power	100W	150W	200W	240W
Input Current	1.5A	2A	3A	3.4A
Input Voltage	120-277V			
Frequency	50/60Hz			

Installation Instruction



Product Dimension



UFO HIGHBAY LED FIXTURE INSTALLATION INSTRUCTIONS

Items:

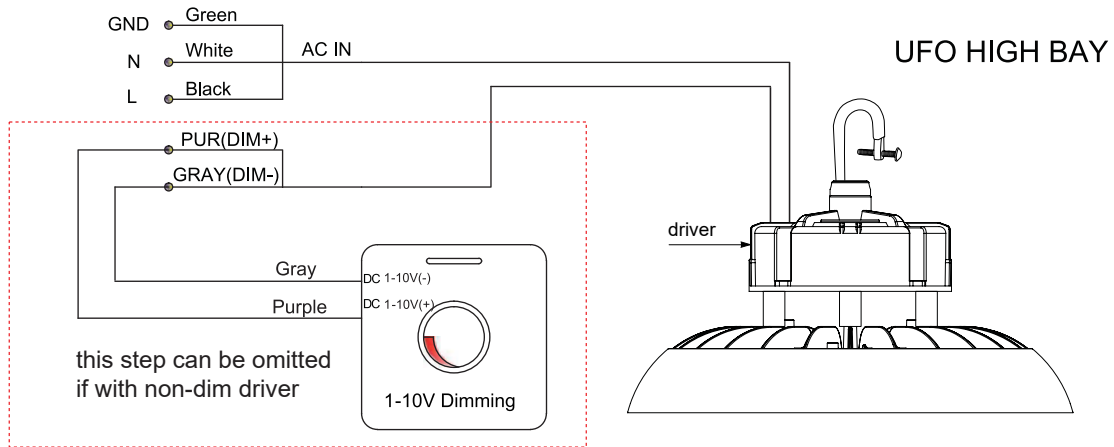
F-LUHB/100/50K/G2-87 F-LUHB/150/50K/G2-87 F-LUHB/200/50K/G2-87 F-LUHB/240/50K/G2-87

Wiring Connection

Turn off the power, connect AC wire. black wire to L, white wire to N, and green wire to E.

Dimmer connection (With dimmable driver.)

1. Compatible with 1-10V dimming.
2. Connect wires as below, purple wire is D +, gray wire is D -



3. Hang up the light.

*Installation Note - In non-dimming applications, cap purple and gray wires individually.

The Installation must be carried out by a qualified electrician.