

INSTALLATION INSTRUCTIONS FOR LED DUSK-TO-DAWN

Items:

F-D2D-40W/50K/BZ-67

F-D2D-40W/50K/GR-67

F-D2D-55W/50K/BZ-67

F-D2D-55W/50K/GR-67

Read and follow all safety instructions before beginning installation

Tools Required:

Phillips Screw Driver, Wire Strippers, Wire Cutters, Drill



WARNING

RISK OF FIRE OR ELECTRIC SHOCK

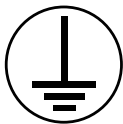
- This product should be installed, inspected, and maintained by a qualified electrician only, in accordance with the NEC (National Electric Code) and all local codes.
- Turn off electrical power before inspection, installation or removal.
- Use only UL (or other NRTL) approved wire for input/output connections.
- Minimum size 18 AWG or 14 AWG for continuous runs.
- Make sure LEDs and drivers are cool to touch when performing maintenance.
- Ensure supply voltage is equal to the rated voltage of the luminaire.
- Do not install in a hazardous atmosphere, only where the ambient temperature does not exceed the rated operating temperature of the fixture.

Prepare Electrical Wiring



Electrical Requirements

- The LED driver must be supplied with 120V or 277V, 50/60 Hz and connected to an individual, properly grounded branch circuit protected by a 20 ampere circuit breaker. Use min. 75°C supply.



Grounding Instructions

- The grounding and bonding of the overall system shall be done in accordance with NEC Article 600 and local codes

INSTALLATION INSTRUCTIONS FOR LED DUSK-TO-DAWN

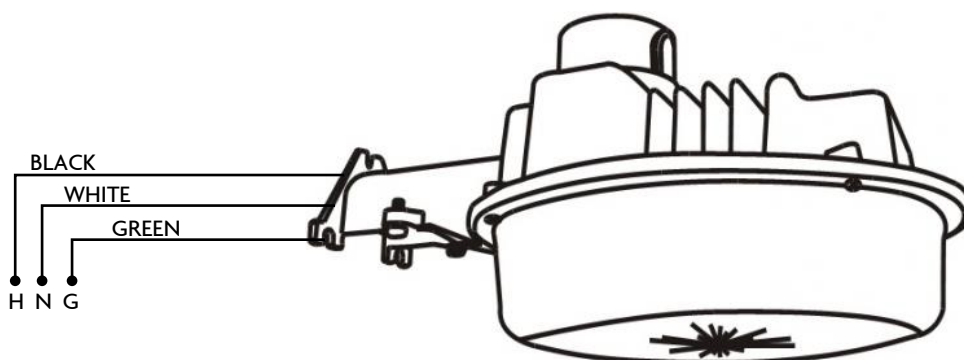
Items:

F-D2D-40W/50K/BZ-67

F-D2D-40W/50K/GR-67

F-D2D-55W/50K/BZ-67

F-D2D-55W/50K/GR-67



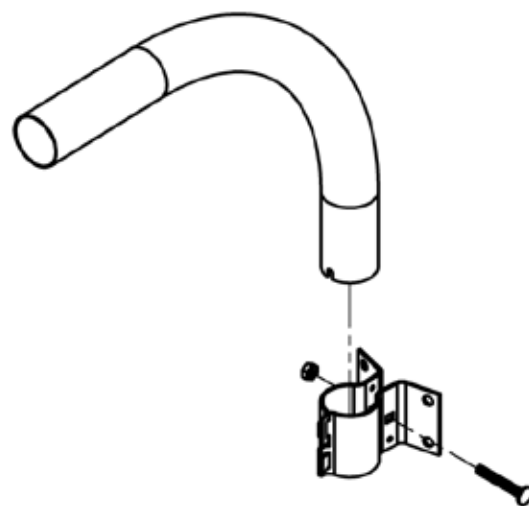
(Note: 220/240V Connect 2nd hot leg to white conductor)

If mounting without extension arm:

- Place fixture against desired mounting surface and fasten in place using the bolts provided.
- Remove wiring cover and punch out the desired wiring hole.
- Using the provided wire nuts, splice the wires as seen in diagram.

If mounting with extension arm:

- Attach the 2-piece mounting bracket to the extension arm by interlocking the bracket and securing with the bolt and hex nut provided.
- Place the extension arm assembly onto the desired mounting surface and mark the four hole locations and drill into the mounting surface.
- Mount the arm assembly tighten bolts securely.
- Secure fixture to arm using the bracket on the fixture.



Model #	Wattages	Voltages	Amps
F-D2D-40W/50K/BZ-67 F-D2D-40W/50K/GR-67	40W	120V	0.328
		208V	0.189
		240V	0.164
		277V	0.142
F-D2D-55W/50K/BZ-67 F-D2D-55W/50K/GR-67	55W	120V	0.475
		208V	0.274
		240V	0.238
		277V	0.205