

Items:

F-BL/40W/40K/BZ-95

F-BL/40W/40K/GR-95

F-BL/40W/50K/BZ-95

F-BL/40W/50K/GR-95

F-BL/60W/40K/BZ-95

F-BL/60W/40K/GR-95

F-BL/60W/50K/BZ-95

F-BL/60W/50K/GR-95

INSTALLATION INSTRUCTIONS FOR LED AREA LIGHT

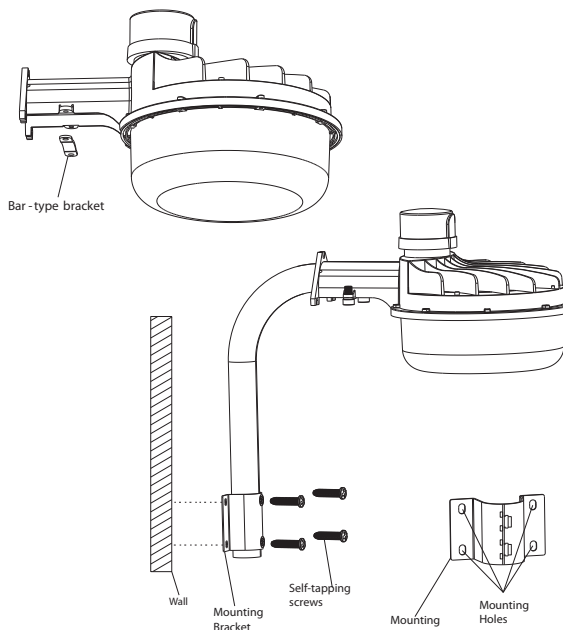
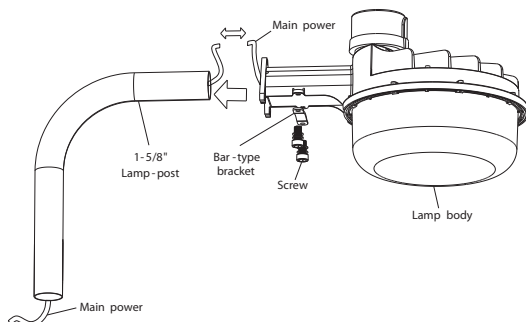


Read and follow all safety instructions before installation or servicing

- 1. DANGER- Risk of shock-** Disconnect power at fuse or breaker before attempting installation.
- This luminaire must be installed and grounded in accordance with the NEC and your local electrical code.
- Suitable for wet locations and in ambient temperatures not exceeding 110°F
- Not for use in hazardous environments
- Min 90°C supply conductors.
- This luminaire is rated for 120-277VAC, 50/60Hz only.
- Do not install if lens is cracked, or fixture is damaged in any way

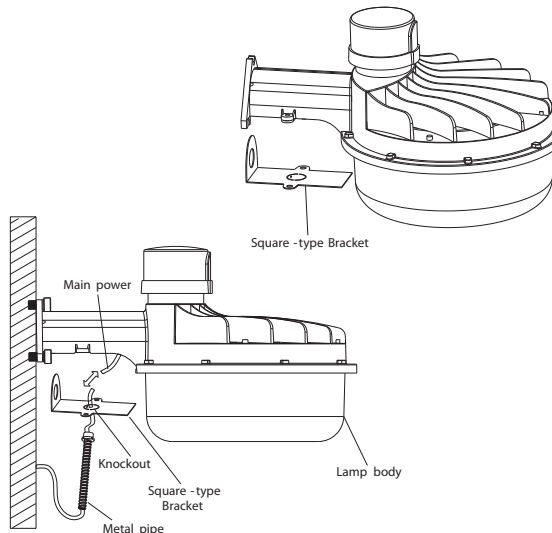
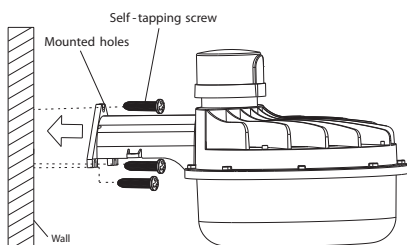
Pole Mounting

1. Remove Bar-type Bracket
2. Feed wires through the lamp-post, then wire to line voltage
3. Mount lamp body to pole, and attach the bar-type bracket firmly with screws.
4. Place the self-tapping screws into holes on the mounting bracket, line up with holes in wall and secure firmly with screws.
5. Plug Twist-lock photocell or shorting cap onto photo-control receptacle to complete installation



Wall Mounting

1. Remove Square-type Bracket
2. Place the self-tapping screws into holes on mounting bracket, line up with holes on the wall and attach firmly with screws.
3. Remove knockout from Square-type Bracket, and feed the metal pipe into the bracket.
4. Feed wires through the metal pipe, then re-attach the Square-type bracket firmly to the luminaire.
5. Plug Twist-lock photocell or shorting cap onto photo-control receptacle to complete installation



INSTALLATION INSTRUCTIONS FOR LED AREA LIGHT

